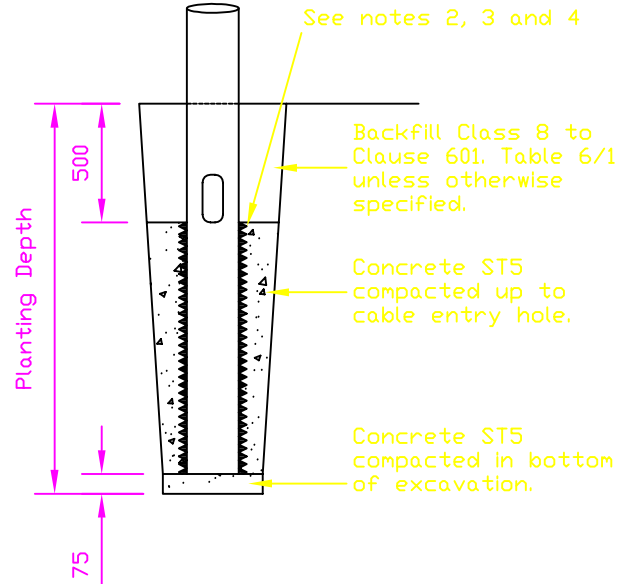


NOTES

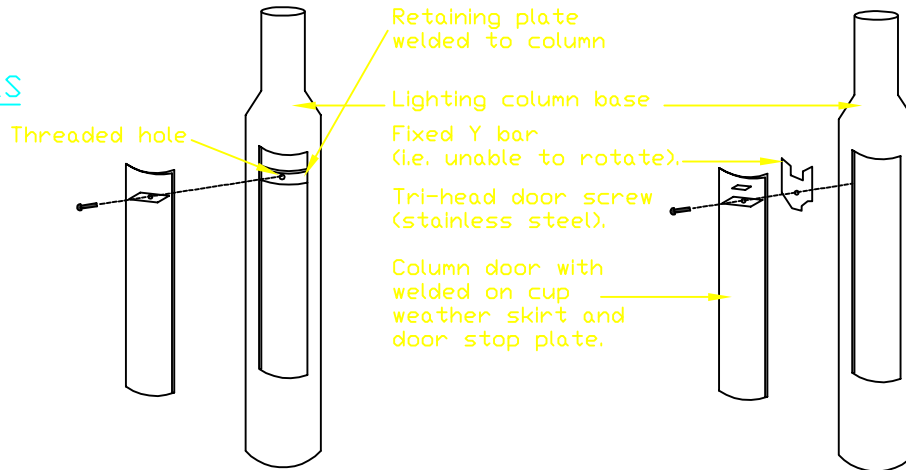
1. All dimensions are in millimetres unless otherwise stated.
2. Alternative Foundation. The contractor may use a polypropylene duct to form a socket type road.
3. Duct to be high impact polypropylene a minimum of 30mm larger in diameter than column tube.
4. Fast set cementitious grout to be placed between duct and column tube to grout column in place. (To achieve 40N/mm² in 3 days and 65N/mm² in 28 days).

Nominal Height of Column	Planting Depth	Min. Door Opening
4/5m	1000mm	500 x 100

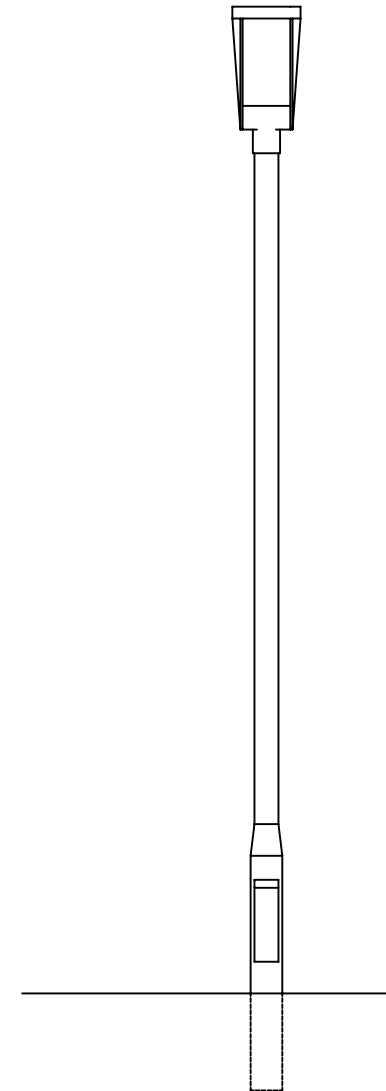
COLUMN DETAILS



PLANTING DETAILS



ALTERNATIVE ARRANGEMENT FOR DOOR OPENINGS



STANDARD COLUMN

No.	Date	Description
↑ AMENDMENTS ↓		

HIGHWAY CONSTRUCTION DETAILS

ROAD LIGHTING

POST TOP COLUMN
4/5 METRES

Drawing No.

K82