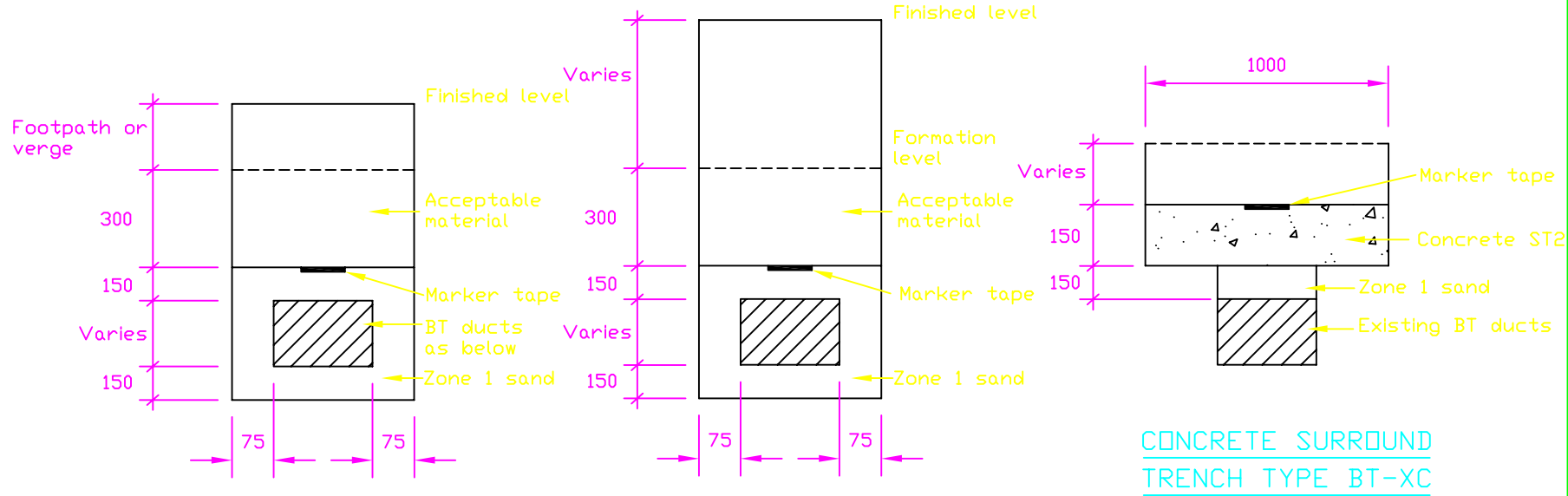


NOTES

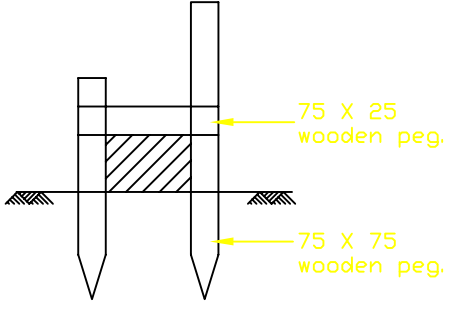
1. All dimensions are in millimetres unless otherwise stated.
2. Ducts to be laid as per the general requirements of LN139
3. For details of layout of ducts see contract drawings.
4. When S suffix is added this indicates Steel Pipes.



<VERGE OR FOOTPATH> TRENCH TYPE BT-XF <ROAD> TRENCH TYPE BT-XR

CONCRETE SURROUND TRENCH TYPE BT-XC

TRENCH TYPE-X	TYPICAL ARRANGEMENT
1	○
2	○ ○
4	○ ○ ○ ○
6	○ ○ ○ ○ ○ ○
9	○ ○ ○ ○ ○ ○ ○ ○ ○ ○



OVERLAND DUCT TRENCH TYPE BT-XQ

No.	Date	Description
↑		AMENDMENTS
		↓