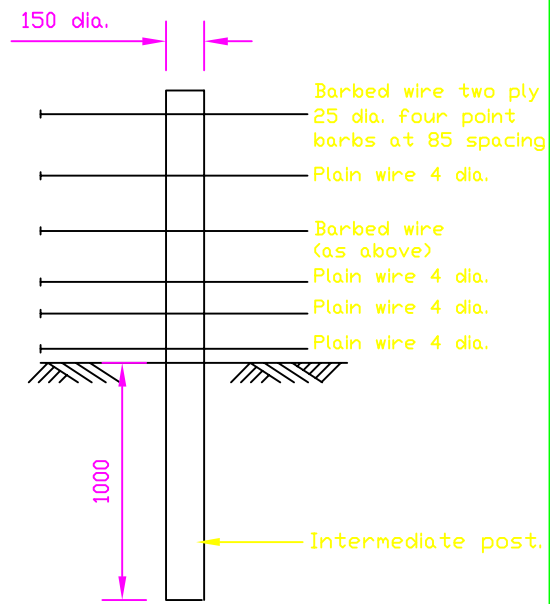
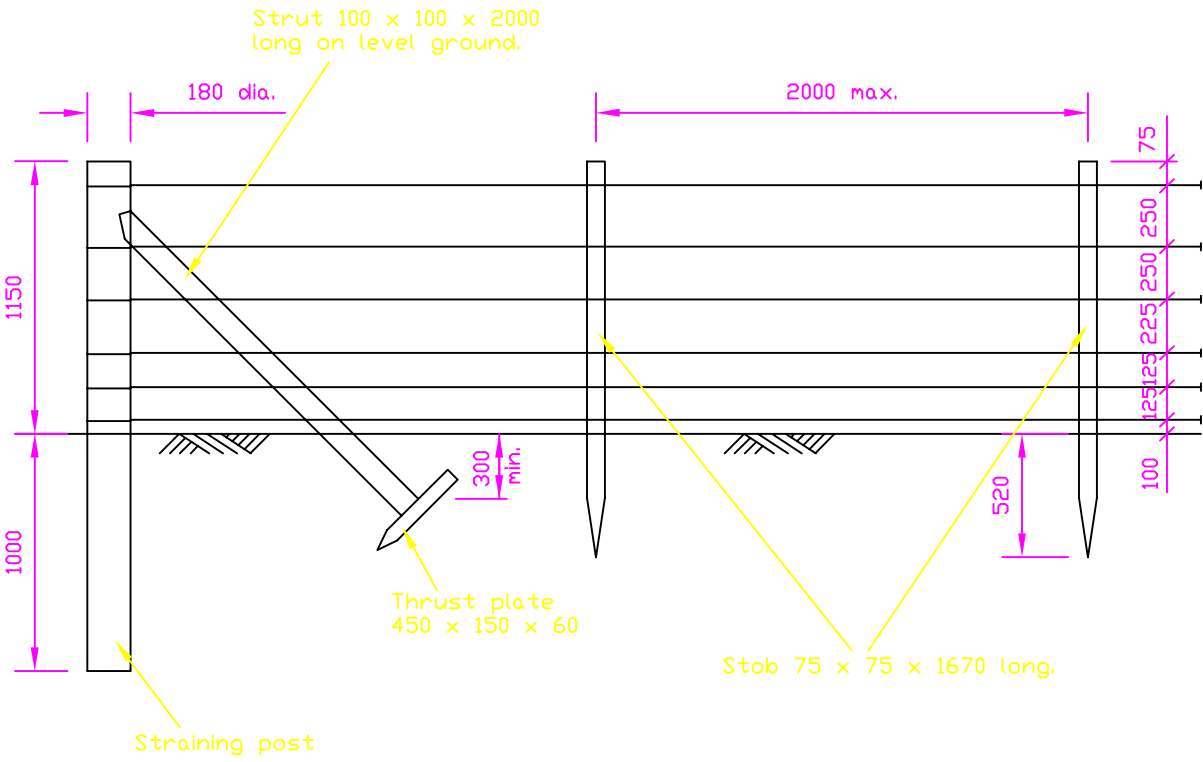


NOTES

1. All dimensions are in millimetres unless otherwise stated.
2. All timber to comply with Cl.2641. Other materials and fittings to B.S.1722 part 3.
3. Intermediate posts shall be provided at changes of direction and at acute variations of level.
4. Straining posts to be provided at all ends and corners and at intervals not exceeding 150m in straight lengths of fencing.
5. Standard wire arrangement as shown, alternative wires may be indicated on contract drawings.



No.	Date	Description
↑		AMENDMENTS
↓		

Drawing No.
H77