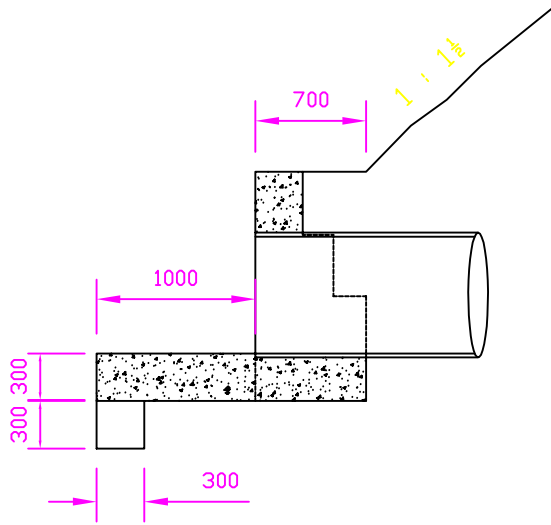
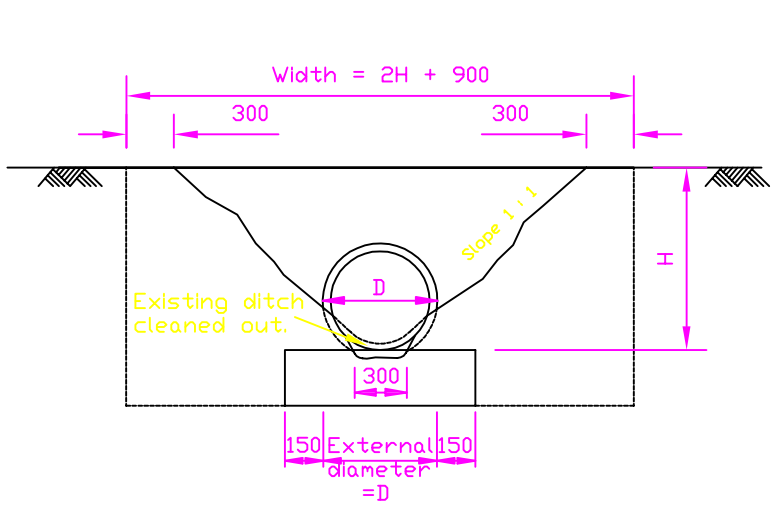
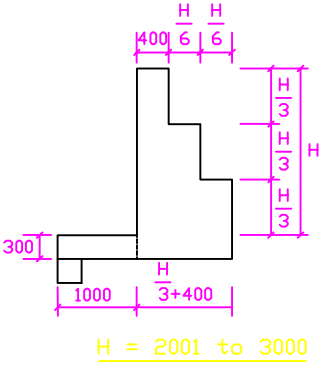
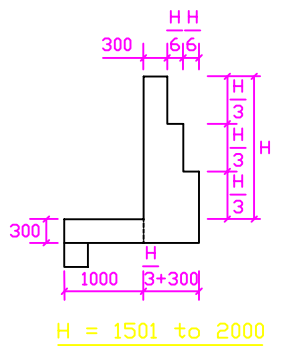
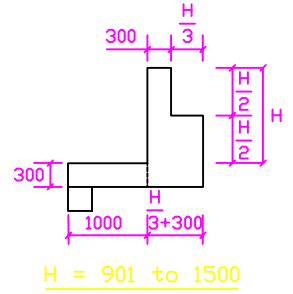
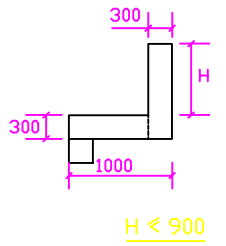
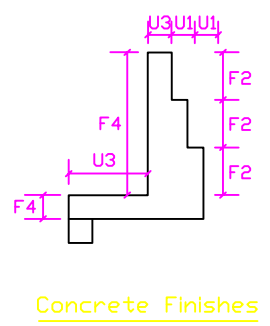


NOTES

1. All dimensions are in millimetres unless otherwise stated.
2. All concrete to be Class 30/20 unless otherwise shown. Maximum water/cement ratio = 0.5.
3. Nib not required where rock exists.



Note :
 1. Invert level and headwall level shown on contract drawings.
 2. All exposed arrises to be 25 x 25 chamfers.



HEADWALL SECTIONS FOR VARYING HEIGHTS

No.	Date	Description
↑		AMENDMENTS
↓		

HIGHWAY CONSTRUCTION DETAILS

DRAINAGE

HEADWALLS

Drawing No.
F85