

NOTES

1. All dimensions are in millimetres unless otherwise stated.
2. See typical layout of gullies for connection details.
3. All road gully gratings and frames will require to be Kitemarked in accordance with Appendix B (Volume 1).

Grating and frame to comply with BS 497, Grade A (470 x 280 opening). Set 6mm below road surface and to fall.

Kerbs to be saw cut to fit frame.

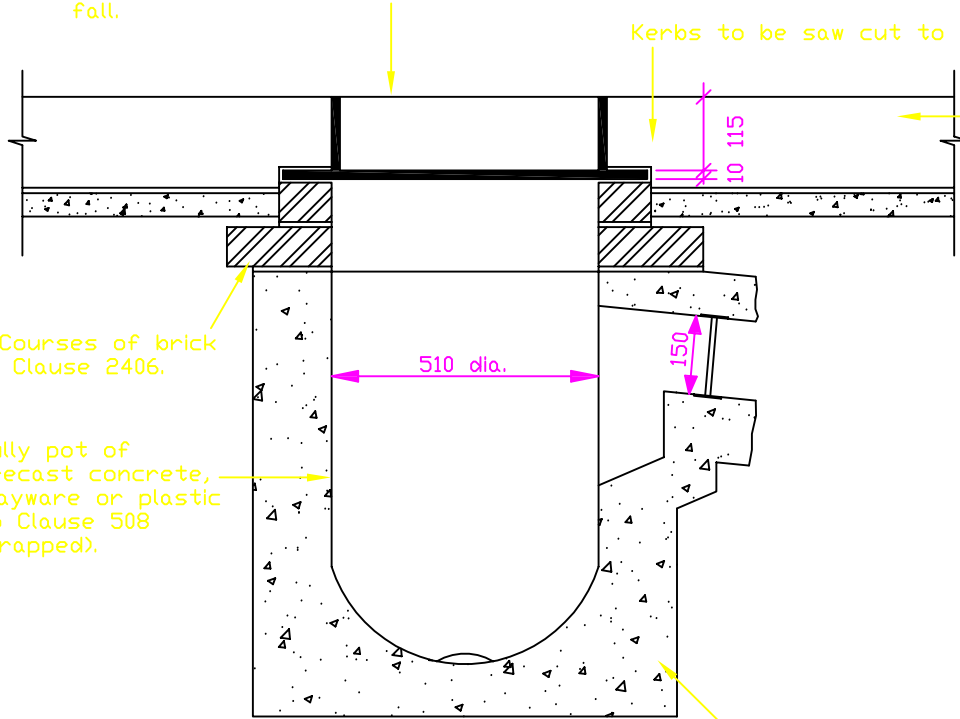
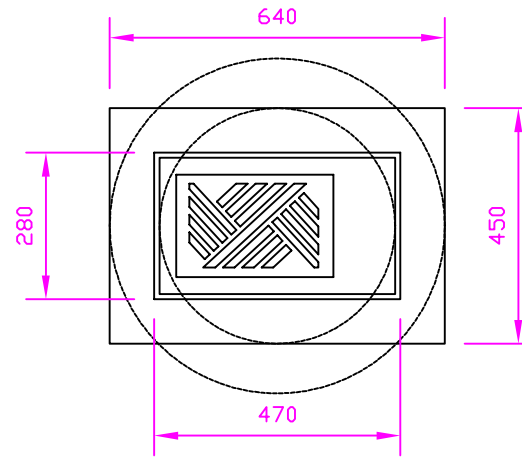
Kerb Type K2

Frame to be bedded on 10 to 20mm of Class 1 cement mortar.

2 Courses of brick to Clause 2406.

Gully pot of precast concrete, clayware or plastic to Clause 508 (trapped).

150mm ST4 concrete surround (ST1 concrete where concrete or clay pots are used.)



No.	Date	Description
		AMENDMENTS

HIGHWAY CONSTRUCTION DETAILS

DRAINAGE

GULLIES
CHANNEL - TYPE G8

Drawing No.

F90