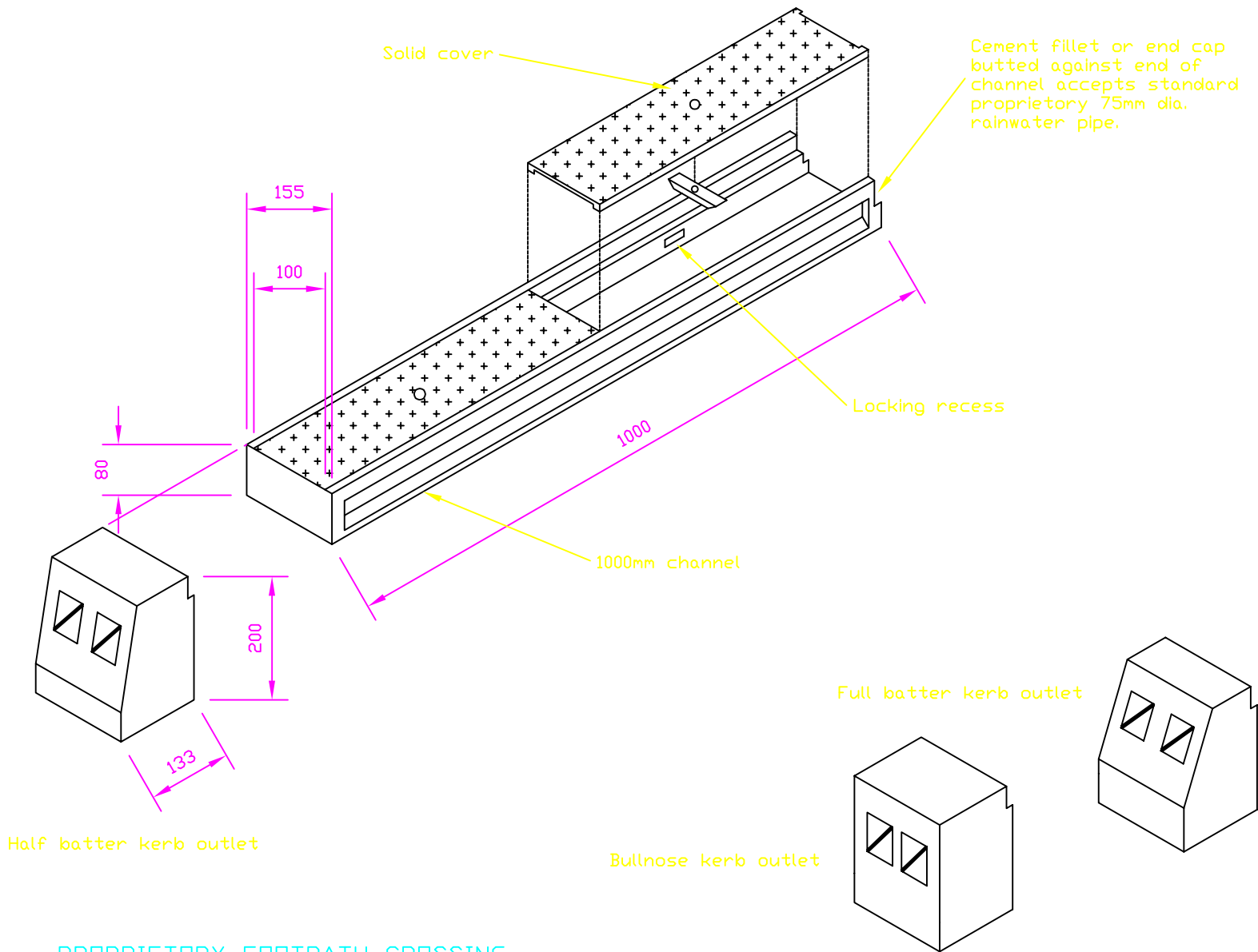


NOTES

1. All dimensions are in millimetres unless otherwise stated.
2. Channel to be fitted with solid cover as shown.
3. Channel, cover, downpipe connector, kerb outlet and cover locks to be from an approved proprietary surface drainage system.
4. Dimensions shown are minimum values.
5. Kerb outlet units to be made from polymer concrete.



PROPRIETARY FOOTPATH CROSSING

KERB OUTLETS

No.	Date	Description
		AMENDMENTS

HIGHWAY CONSTRUCTION DETAILS	DRAINAGE	DETAIL FOR PROPRIETARY FOOTPATH CROSSING	Drawing No. F89
------------------------------	----------	--	--------------------