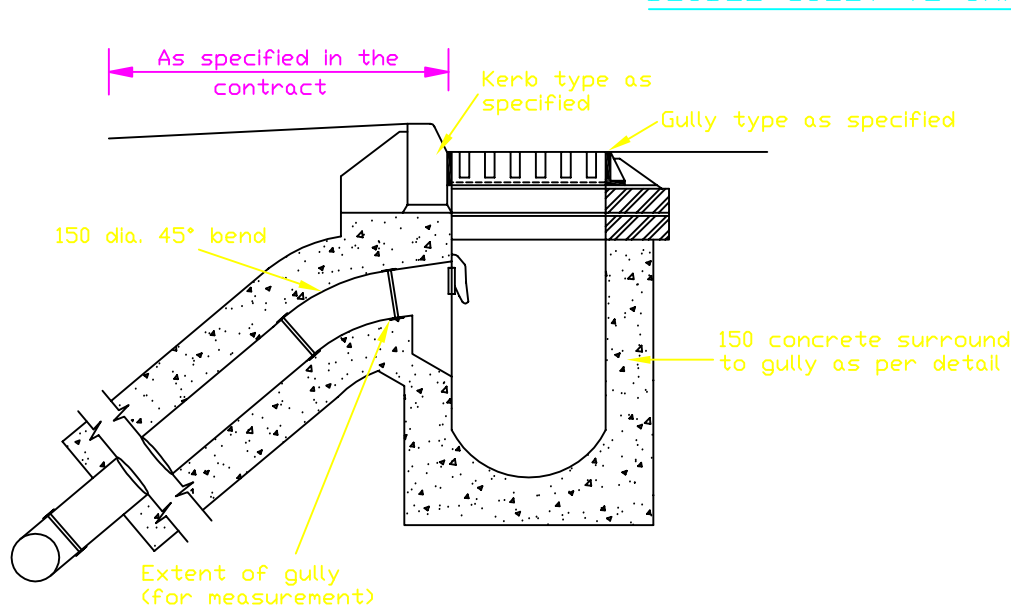
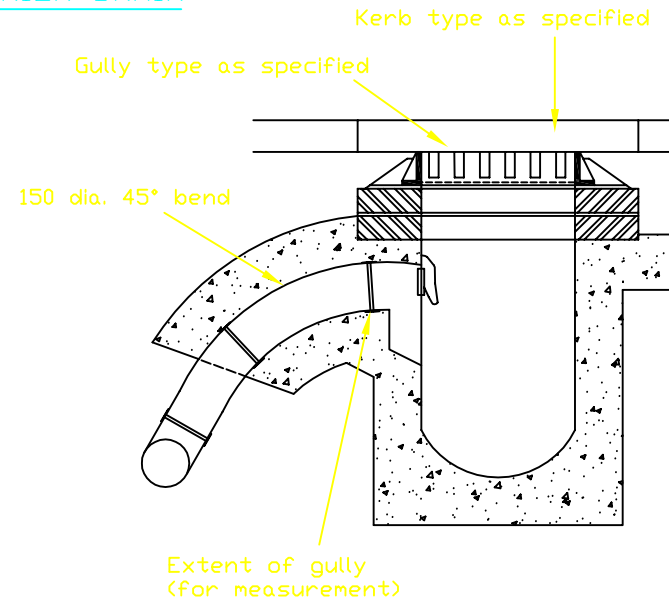


DOUBLE GULLY TO CARRIER DRAIN



SINGLE GULLY TO CARRIER DRAIN



SECTION A - A

NOTES

1. All dimensions are in millimetres unless otherwise stated.
2. For details of permitted pipe material see Appendix 5/1.
3. Pipework measured and paid as separate item.
4. All pipes with less than 900mm cover to Earthworks Outline to be concrete surrounded.
5. No bends in horizontal plane permitted.
6. Bends in vertical plane to be no greater than 45°.
7. Flexible joint to be provided at termination of concrete surround.

No.	Date	Description
		AMENDMENTS