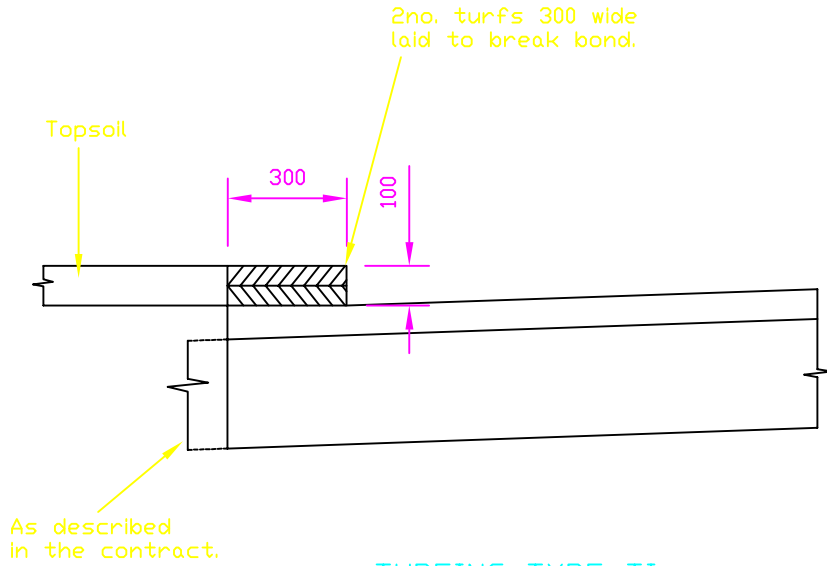
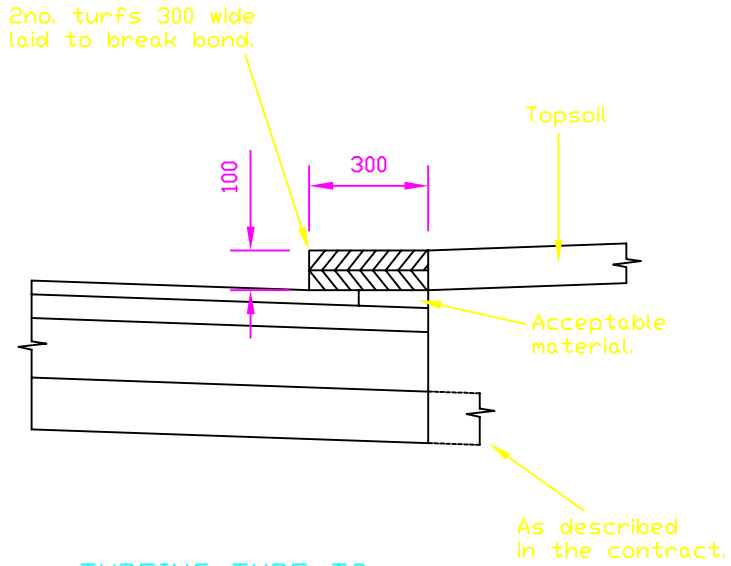


NOTES

- All dimensions are in millimetres unless otherwise stated.



TURFING TYPE T1



TURFING TYPE T2

No.	Date	Description
↑		AMENDMENTS
		↓

HIGHWAY CONSTRUCTION DETAILS

EDGE OF PAVEMENT DETAILS

TURF EDGING TYPES 1 & 2

Drawing No.

B73