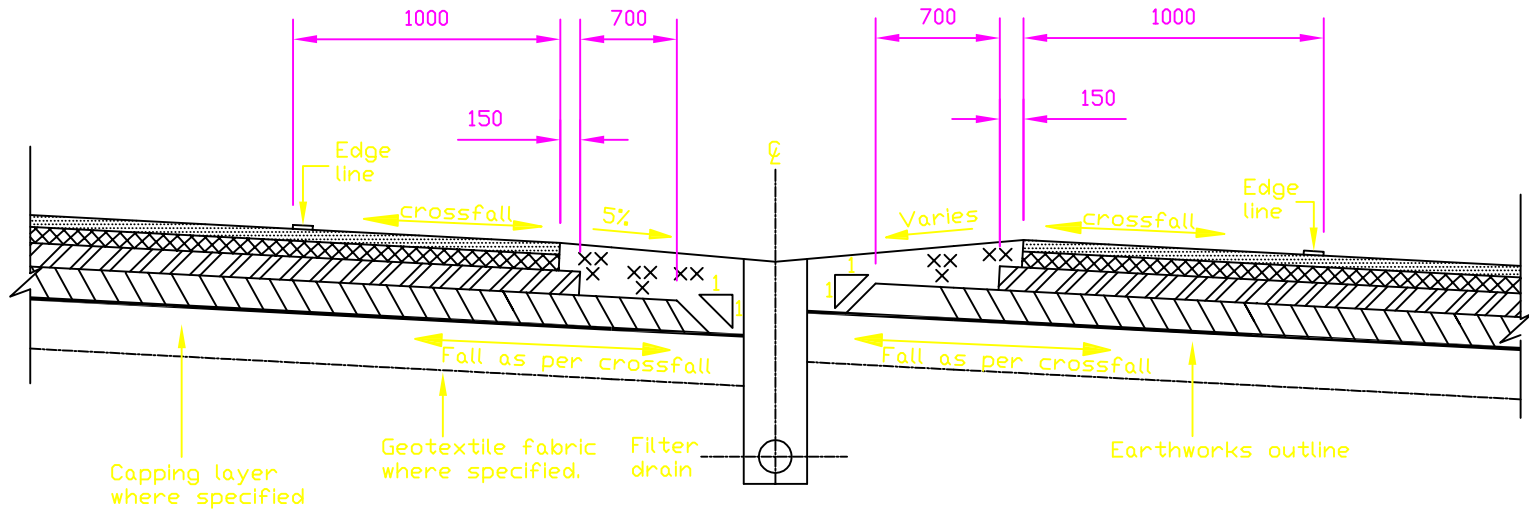
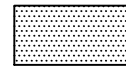


NOTES

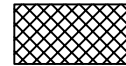
- All dimensions are in millimetres unless otherwise stated.



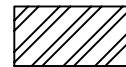
KEY



surface course



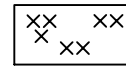
binder course



base



Sub-base



Contiguous filter material

No.	Date	Description
		AMENDMENTS

HIGHWAY CONSTRUCTION DETAILS

HIGHWAY CROSS SECTIONS

FLEXIBLE/COMPOSITE CONSTRUCTION
STANDARD CENTRAL RESERVE CR1
GROUP 1

Drawing No.

A74