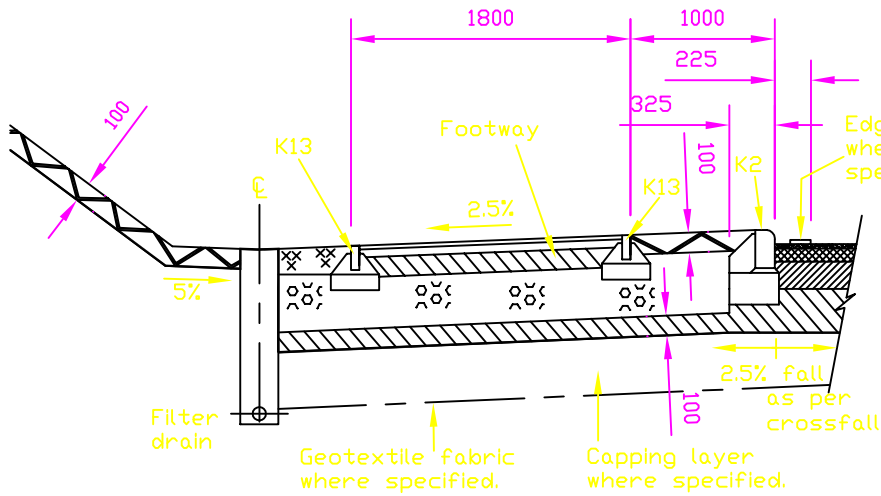
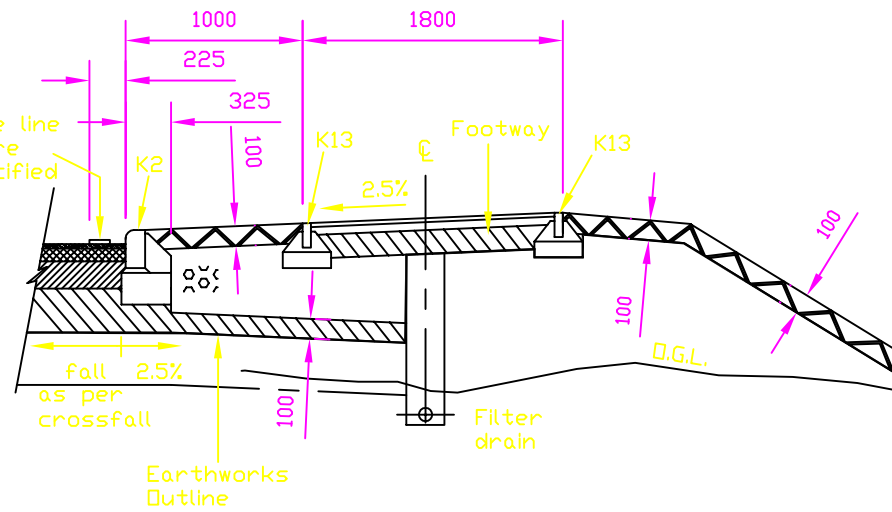


**NOTES**

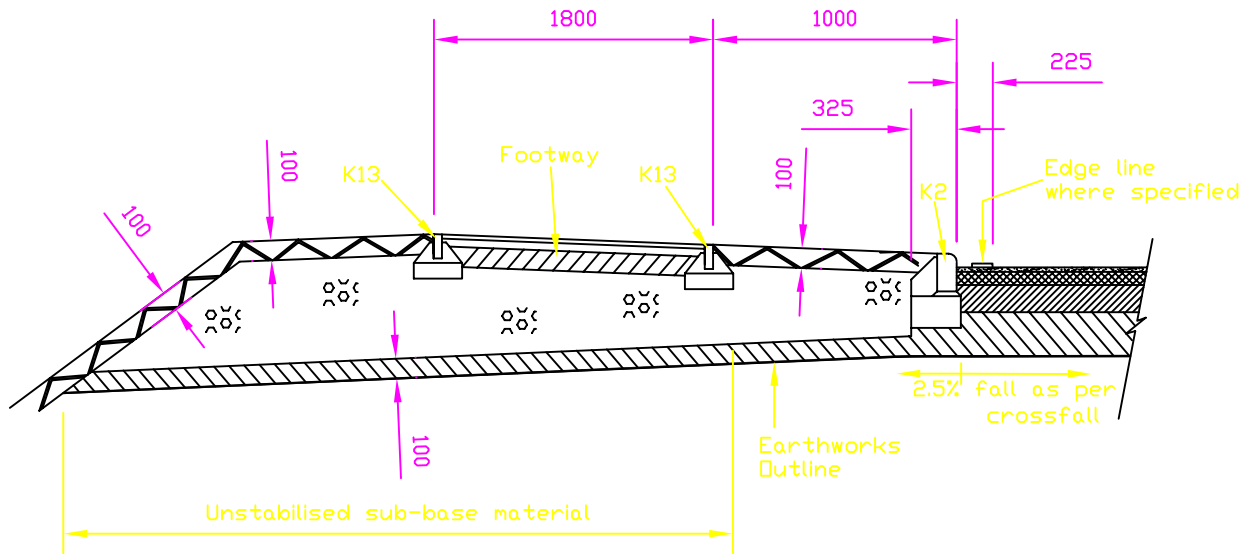
- All dimensions are in millimetres unless otherwise stated.



**CUTTING**





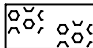

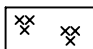


**LOW EMBANKMENT**



**EMBANKMENT**

**KEY**

-  surface course
-  binder course
-  base
-  Sub-base
-  Granular fill class 1
-  Topsoil
-  Contiguous filter material

No.	Date	Description
		AMENDMENTS