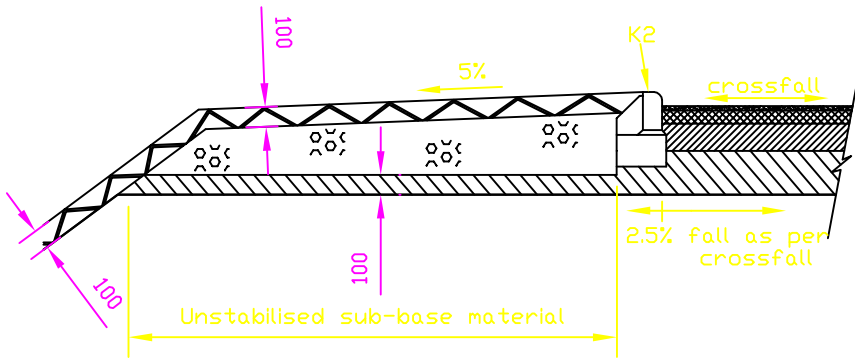
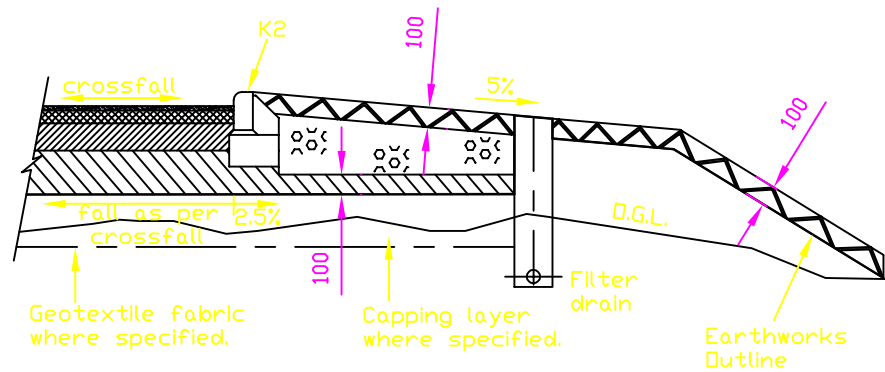


NOTES

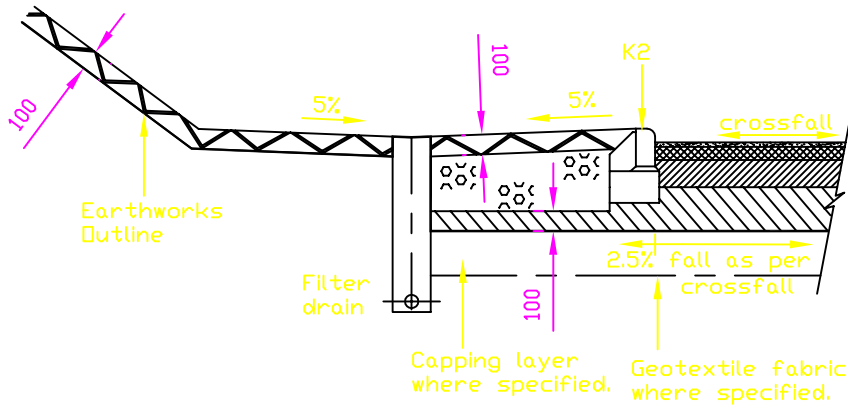
1. All dimensions are in millimetres unless otherwise stated.



EMBANKMENT





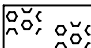



LOW EMBANKMENT



CUTTING

KEY

-  surface course
-  binder course
-  base
-  Sub-base
-  Granular fill class 1
-  Topsoil

No.	Date	Description
		AMENDMENTS