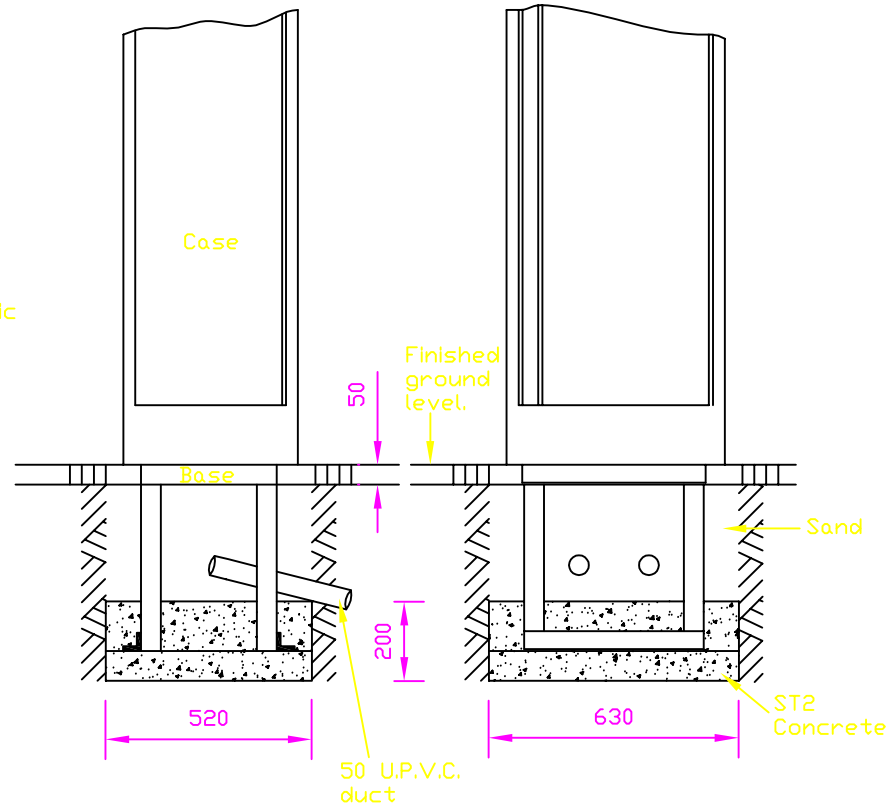
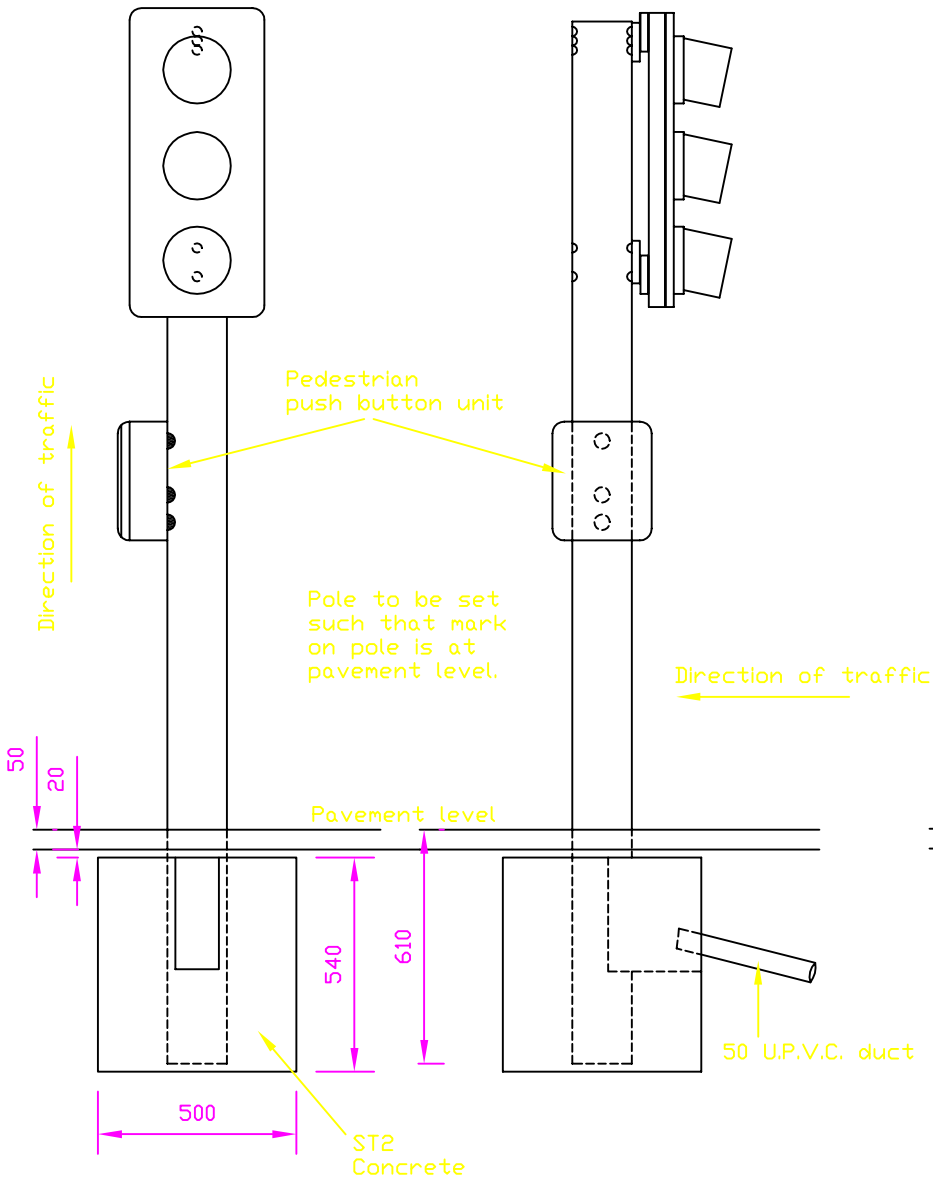


NOTES

1. All dimensions are in millimetres unless otherwise stated.



SIDE VIEW

FRONT VIEW

No.	Date	Description
		AMENDMENTS

HIGHWAY CONSTRUCTION DETAILS

TRAFFIC SIGNS

TRAFFIC SIGNAL & CONTROLLER
INSTALLATION

Drawing No.

K78