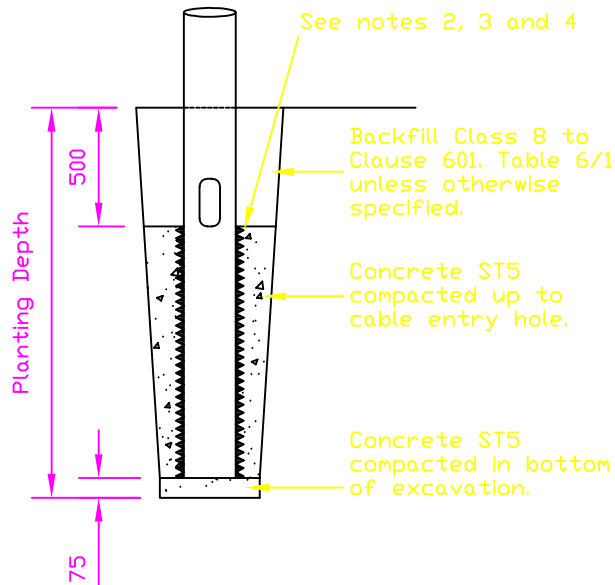
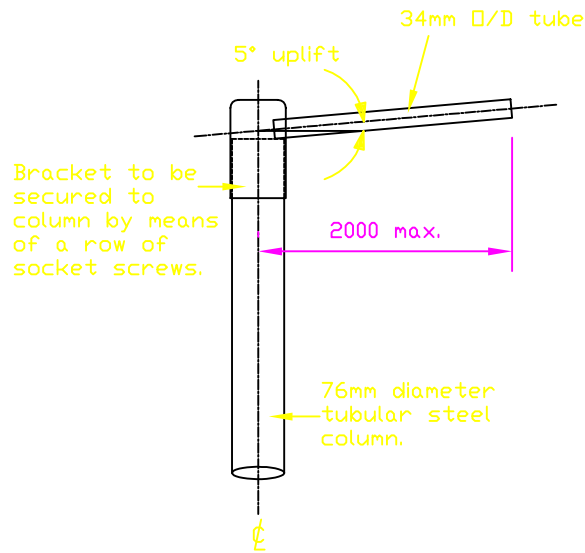


Nominal Height of Column	Planting Depth	Min. Door Opening
12m	1700mm	600 x 125
10m	1500mm	600 x 125
8m	1200mm	600 x 120

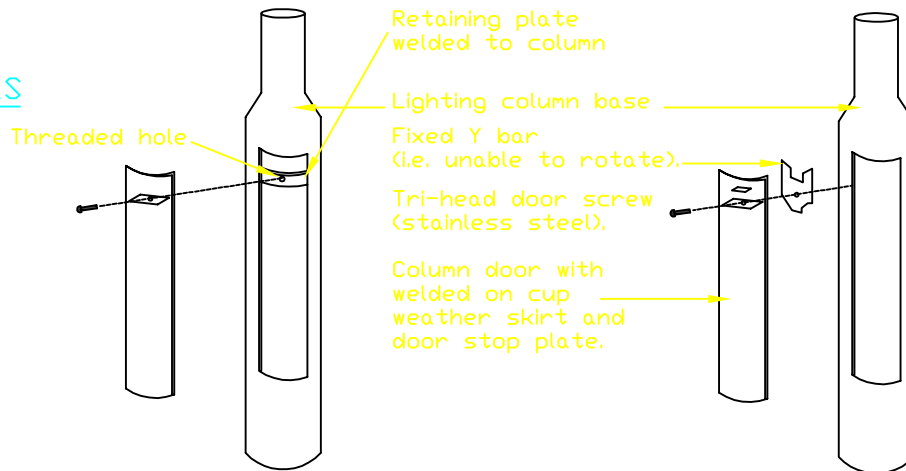
COLUMN DETAILS



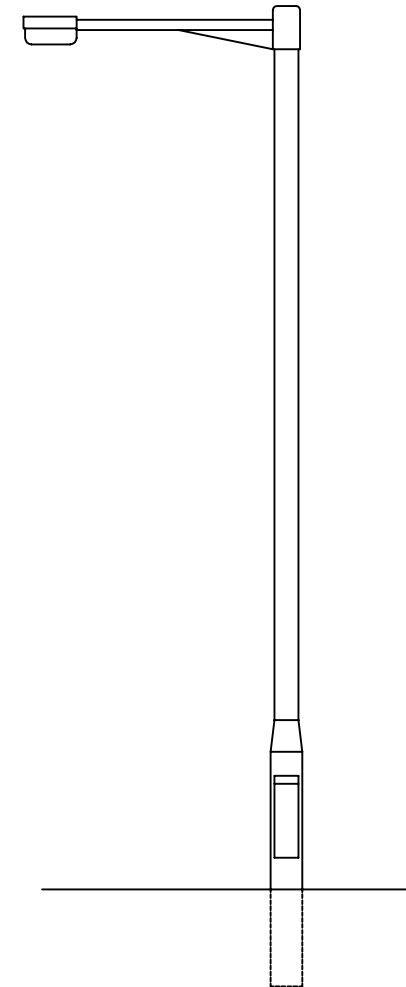
PLANTING DETAILS



PROJECTION BRACKET SPIGOT CAP



ALTERNATIVE ARRANGEMENT FOR DOOR OPENINGS



STANDARD COLUMN

NOTES

- All dimensions are in millimetres unless otherwise stated.
- Alternative Foundation. The contractor may use a polypropylene duct to form a socket type road.
- Duct to be high impact polypropylene a minimum of 30mm larger in diameter than column tube.
- Fast set cementitious grout to be placed between duct and column tube to grout column in place. (To achieve 40N/mm<sup>2</sup> in 3 days and 65N/mm<sup>2</sup> in 28 days).

No.	Date	Description
AMENDMENTS		

Drawing No.  
K81