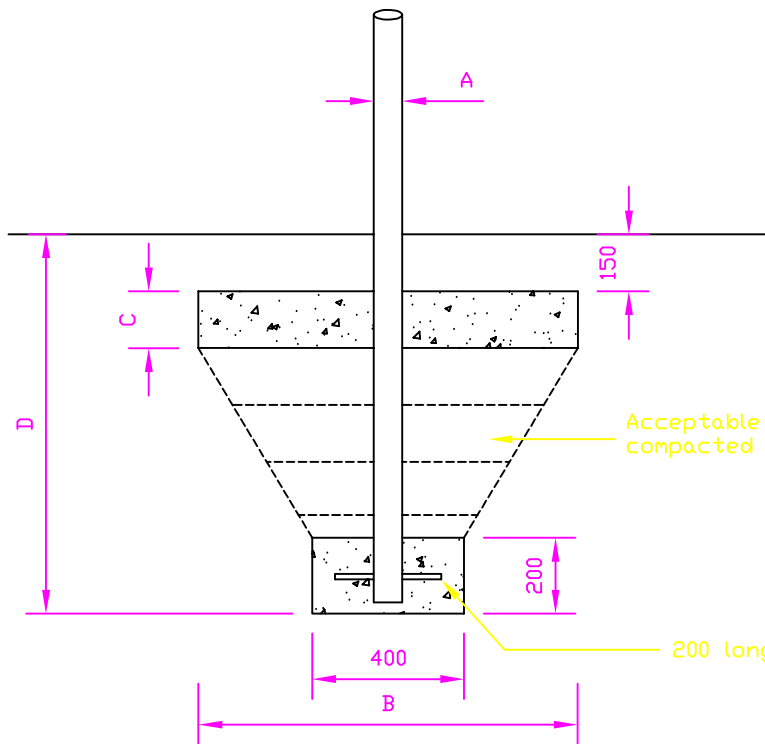
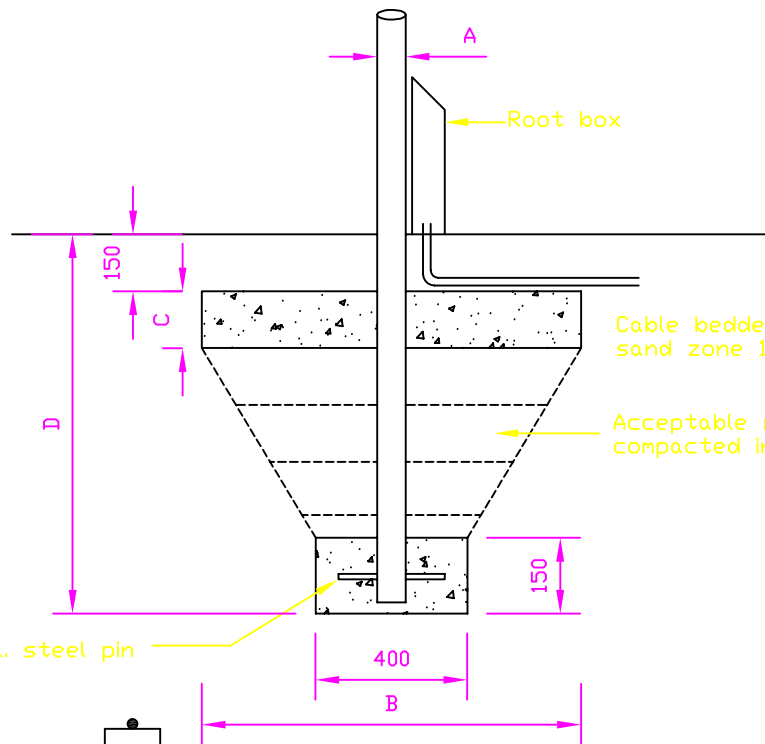


**NOTES**

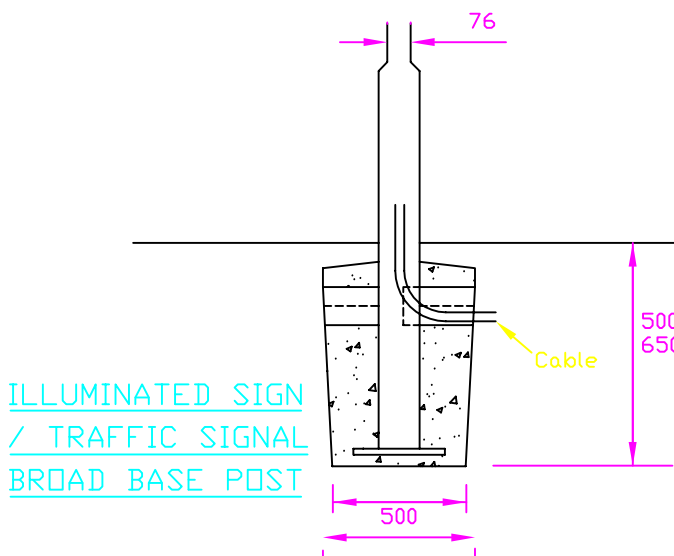
1. All dimensions are in millimetres unless otherwise stated.
2. Where foundation is sited in an embankment, increase footing depth by 300mm.
3. Batter of hole may be varied to suit depth and soil conditions.
4. Fill material to be well rammed in layers not exceeding 150mm thickness.
5. Concrete to be Class C10P.
6. Clearance from kerb to the edge of the sign, Urban - min. = 0.5m, desirable = 1.0m. Rural - min. = 1.0m, desirable = 3.0m.
7. Unless otherwise described in the Contract the mounting height shall be 2250 (Footpath and Paved Area), 1500 (Verges). For erection details refer to Chapter 13 of the Traffic Signs Manual.
8. The sign must be level and the post tops should not appear above the sign unless sign lit.
9. Signs should be angled at about 5° away from the road.
10. The ground around the sign must be left tidy and re-solled and sown if necessary.
11. If a sign is externally illuminated the bottom of the light unit must be between 0 - 25mm below the top of the sign.



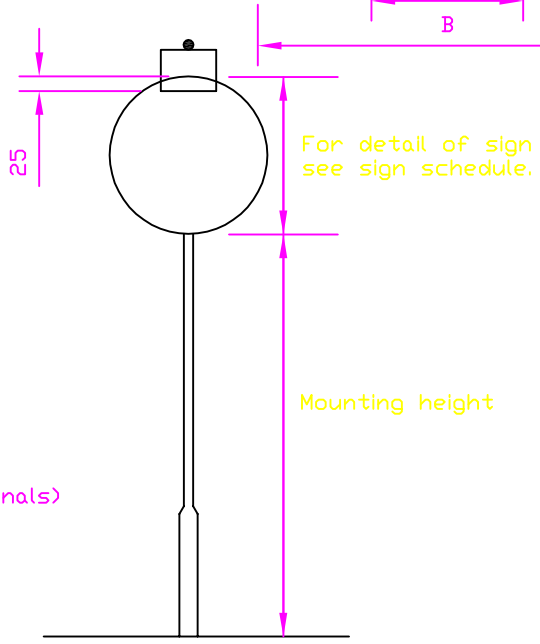
**NON - ILLUMINATED SIGN**



**ILLUMINATED SIGN POST WITH ROOT BOX**



**ILLUMINATED SIGN / TRAFFIC SIGNAL BROAD BASE POST**



**ILLUMINATED SIGN GENERAL ARRANGEMENT**

A	B	C	D
75	1000	100	700
115	1000	150	1000
140	1200	200	1250

No.	Date	Description
AMENDMENTS		