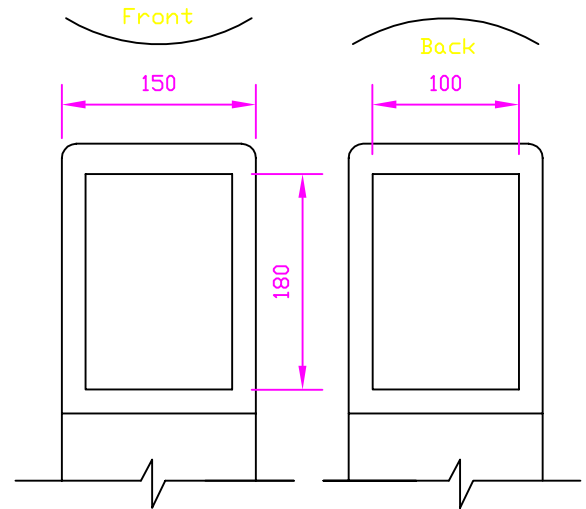
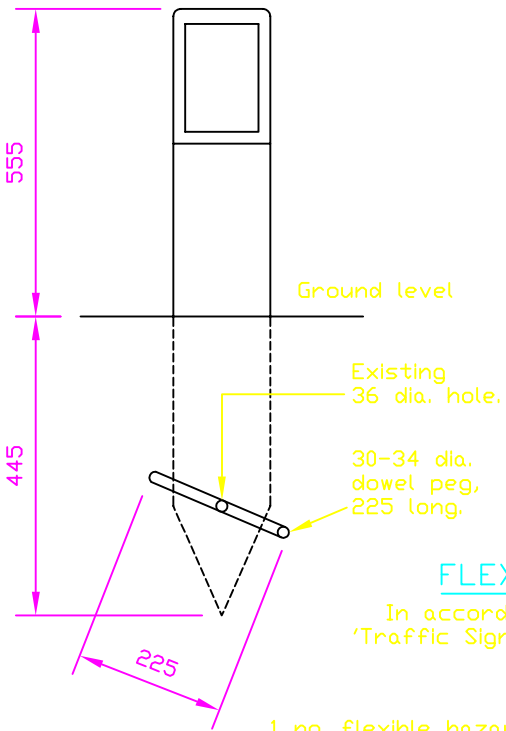


**NOTES**

1. All dimensions are in millimetres unless otherwise stated.

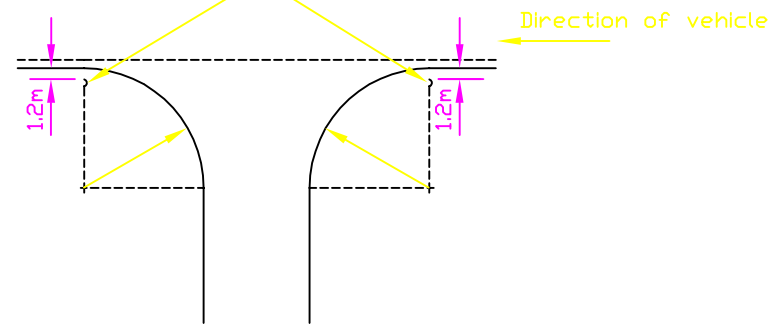
Grade 2 red reflector showing on nearside.  
Grade 2 white reflector showing on offside.



**FLEXIBLE HAZARD MARKER POST**

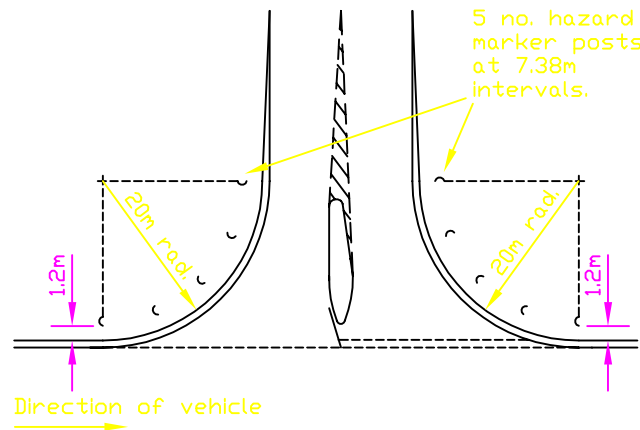
In accordance with Diagram Nos. 560 & 561 of the 'Traffic Signs Regulations and General Directions, 1981.'

1 no. flexible hazard marker post to be erected on both tangent points at 1.2m back from edge of carriageway.



**DELINEATION OF OTHER VEHICULAR ACCESSES WITH FLEXIBLE HAZARD MARKER POSTS**

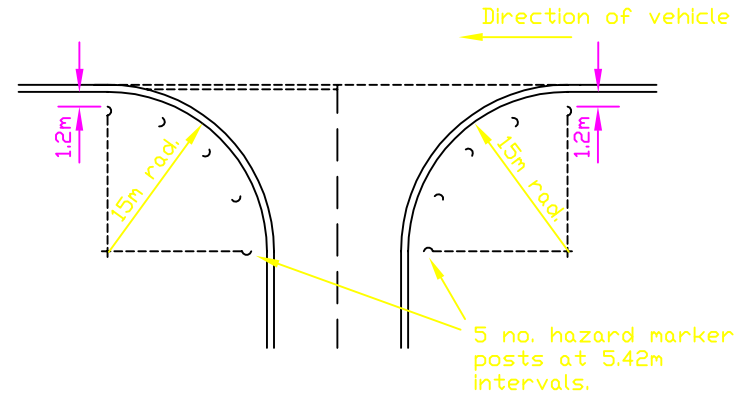
Only to be used at those sites where a traffic problem has been identified.



**DELINEATION OF JUNCTIONS WITH FLEXIBLE HAZARD MARKER POSTS**

5 no. flexible hazard marker posts to be erected at equal intervals between tangent points of radius kerbs, at 1.2m back from edge of carriageway.

Examples show typical layouts at junctions with 15m and 20m radius kerbs.



No.	Date	Description
AMENDMENTS		

Drawing No. **K75**

HIGHWAY CONSTRUCTION DETAILS

TRAFFIC SIGNS

DELINEATION OF JUNCTIONS WITH HAZARD MARKER POSTS