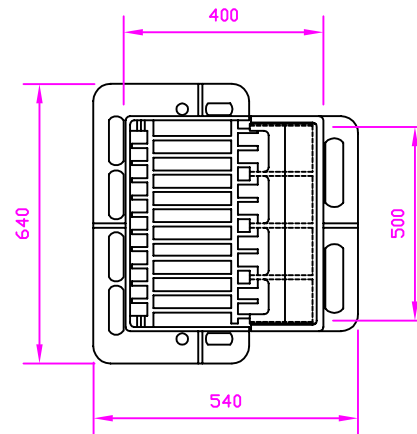
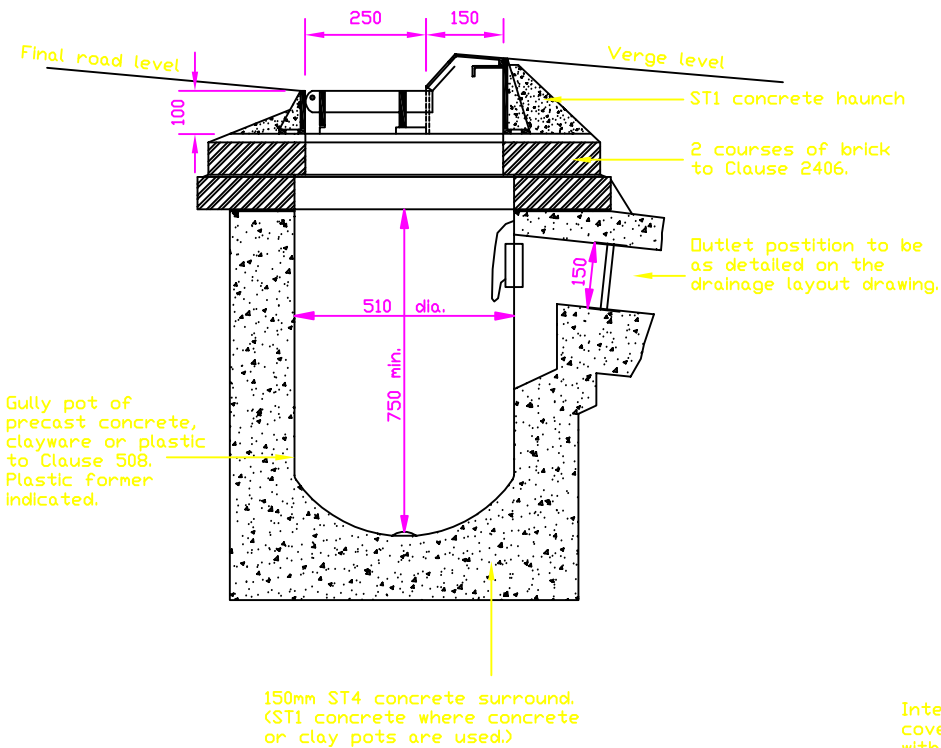


(See Note 3 for Gully Types)



Interlocking lockable four part gully grating, cover and frames. Grade A Class D400 complying with the requirements of BS EN124 : 1994

Frames to be bedded on Class 1 cement mortar complying with Clause 2404.

NOTES

- All dimensions are in millimetres unless otherwise stated.
- See typical layout of gullies for connection details.
- Gully types :
 G3 - Splayed
 G4 - Splayed (Untrapped)
 G5 - Half Battered
 G6 - Half Battered (Untrapped)
- All road gully gratings and frames will require to be Kitemarked in accordance with Appendix B (Volume 1).
- See Drawing F70 for use of 'fish' plate.

No.	Date	Description
		AMENDMENTS

HIGHWAY CONSTRUCTION DETAILS

DRAINAGE

GULLIES
COMBINATION TYPES G3, G4, G5, & G6

Drawing No.

F71