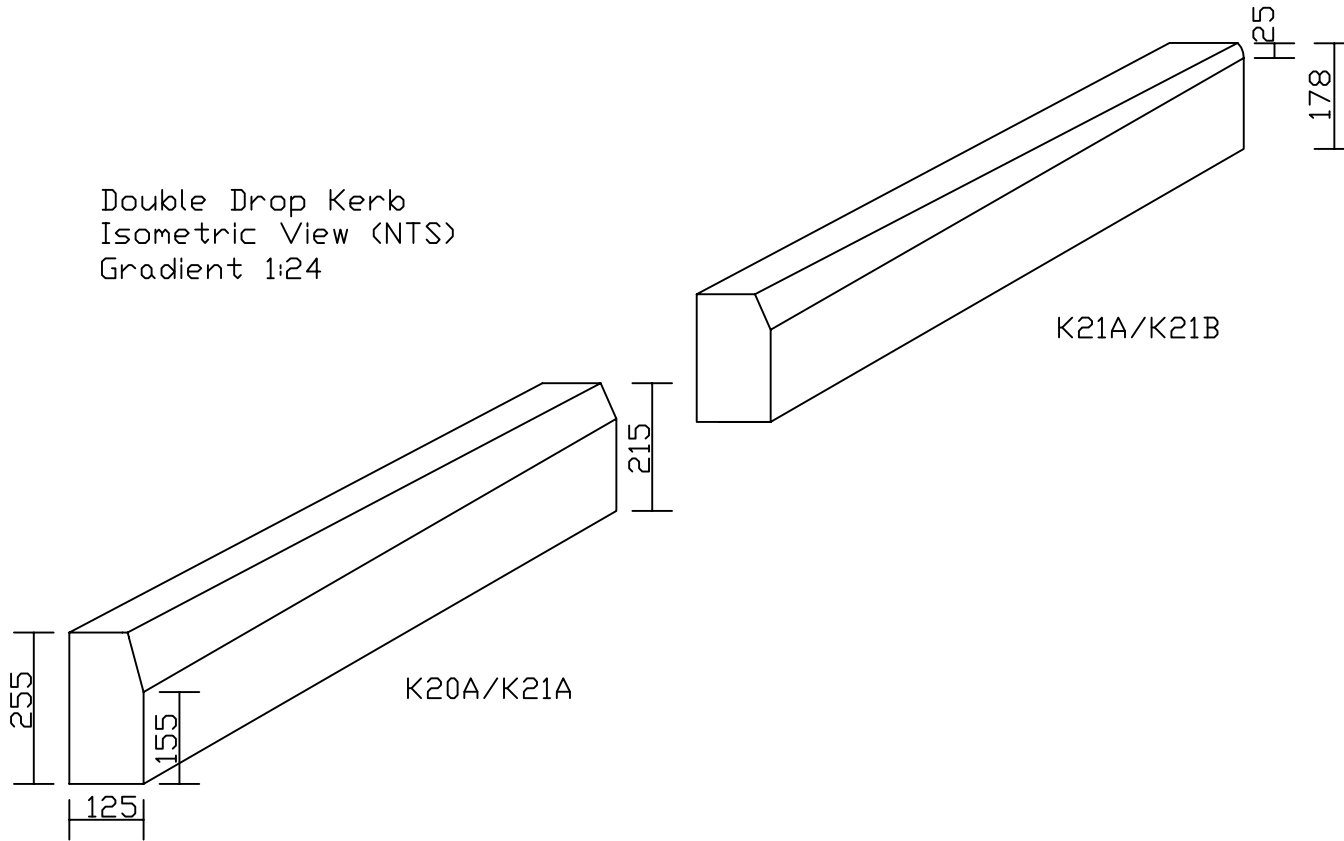


NOTES

1. All dimensions are in millimetres unless otherwise stated.

Double Drop Kerb  
Isometric View (NTS)  
Gradient 1:24



Kerb Type	Reference BS 7263 Part 1 1994	Type	Dimensions
K20A	HB2	Double dropper - left hand (half battered)	125 x 255 x 215
K20B	HB2	Double dropper - left hand (half battered)	125 x 215 x 178
K21A	HB2	Double dropper - right hand (half battered)	125 x 255 x 215
K21B	HB2	Double dropper - right hand (half battered)	125 x 215 x 178

No.	Date	Description
↑ AMENDMENTS ↓		

HIGHWAY CONSTRUCTION DETAILS

EDGE OF PAVEMENT DETAILS

DOUBLE DROPPER KERBS

Drawing No.

B89