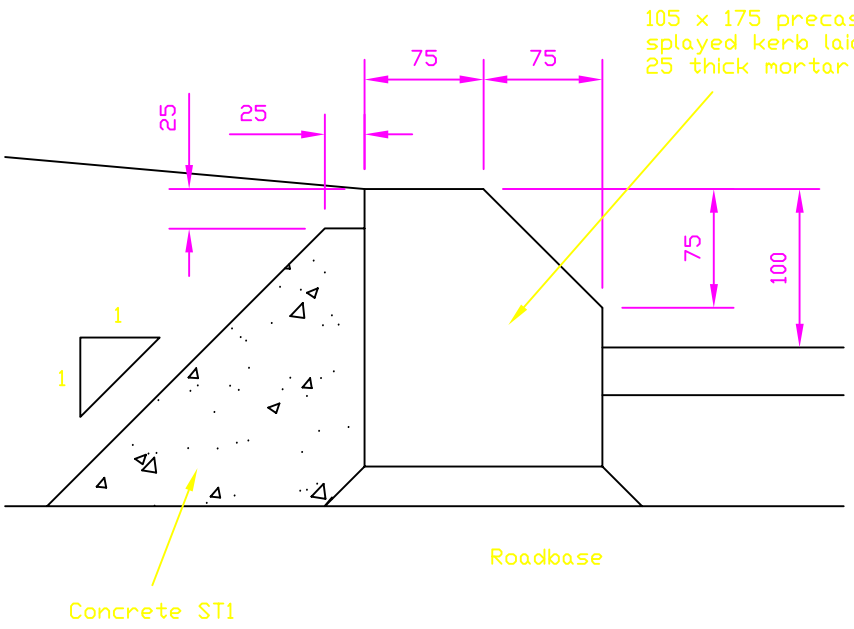


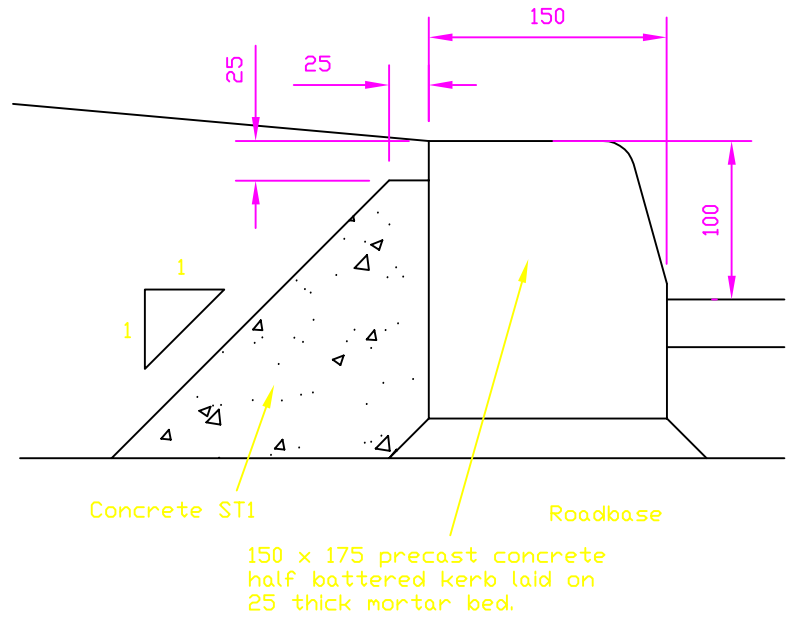
NOTES

- All dimensions are in millimetres unless otherwise stated.
- Precast concrete kerbs and quadrants must comply with the requirements of BS 7263 Part 1 1994. Precast concrete kerbs must be hydraulically pressed.
- The falling loads of kerbs tested in accordance with BS 7263 Part 1 1994 shall be not less than the following:

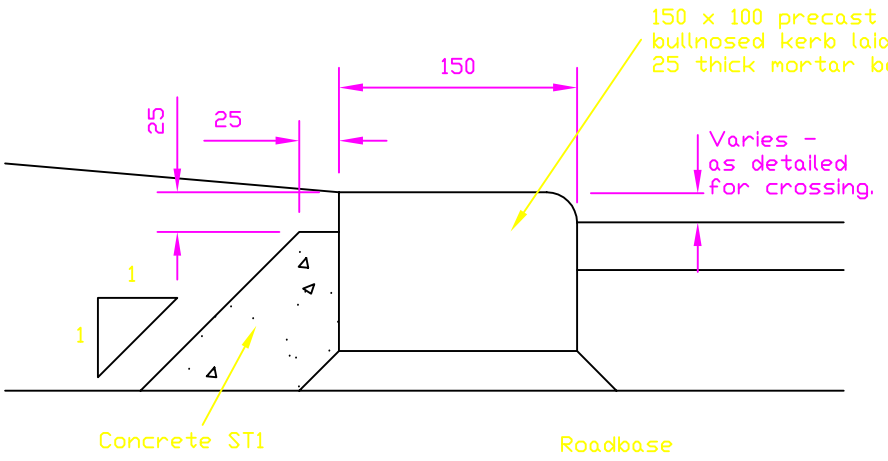
K15 /K16	11.5KN
K17	8KN
- Kerb haunch at rear of kerb to be lowered to suit when setts and footways positioned behind kerbs.
- Where check varies at crossings mortar bed to be adjusted to suit.
- Kerbs to be laid on 1 : 3 cement / sand mortar bed as per BS7263



KERB TYPE K15



KERB TYPE K16



KERB TYPE K17

Kerb Type	Reference BS 7263 Part 1 1994	Type	Dimensions
K15	-	45°Splayed	150 x 175
K16	-	Half Battered	150 x 175
K17	-	Bullnosed	150 x 100
K18	QSP	Quadrant - Splayed	455 x 150
K19	QHB	Quadrant - Half Battered	455 x 150

No.	Date	Description
AMENDMENTS		