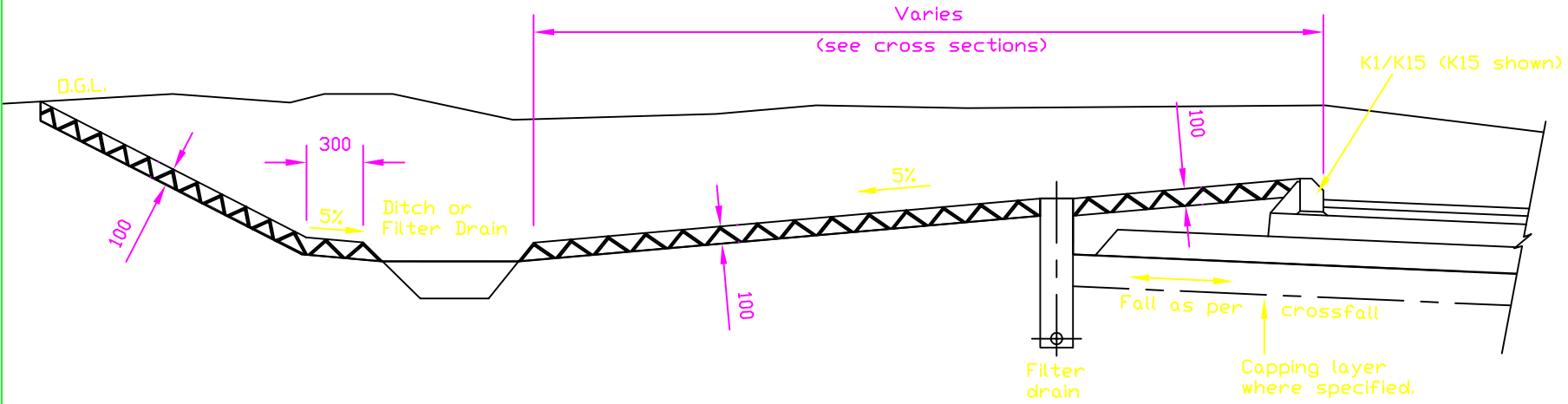
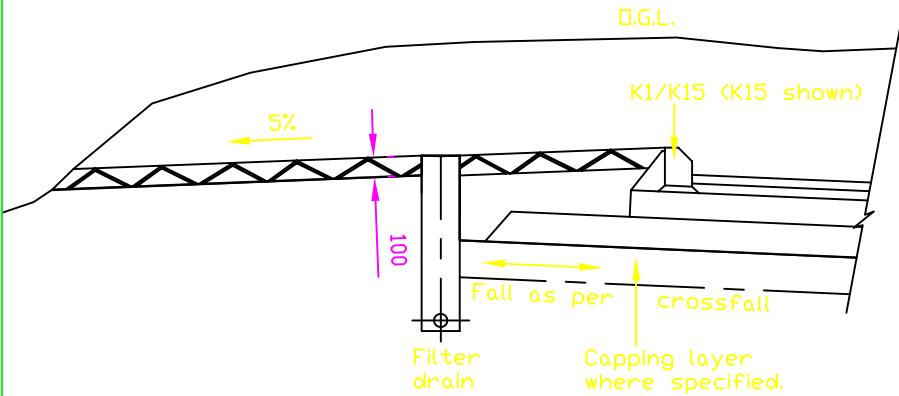


NOTES

- All dimensions are in millimetres unless otherwise stated.





VERGE TYPE VG(W)1



VERGE TYPE VG(W)2

KEY

-  Topsoil
-  Earthworks outline
-  Geotextile fabric where specified.

No.	Date	Description
		AMENDMENTS