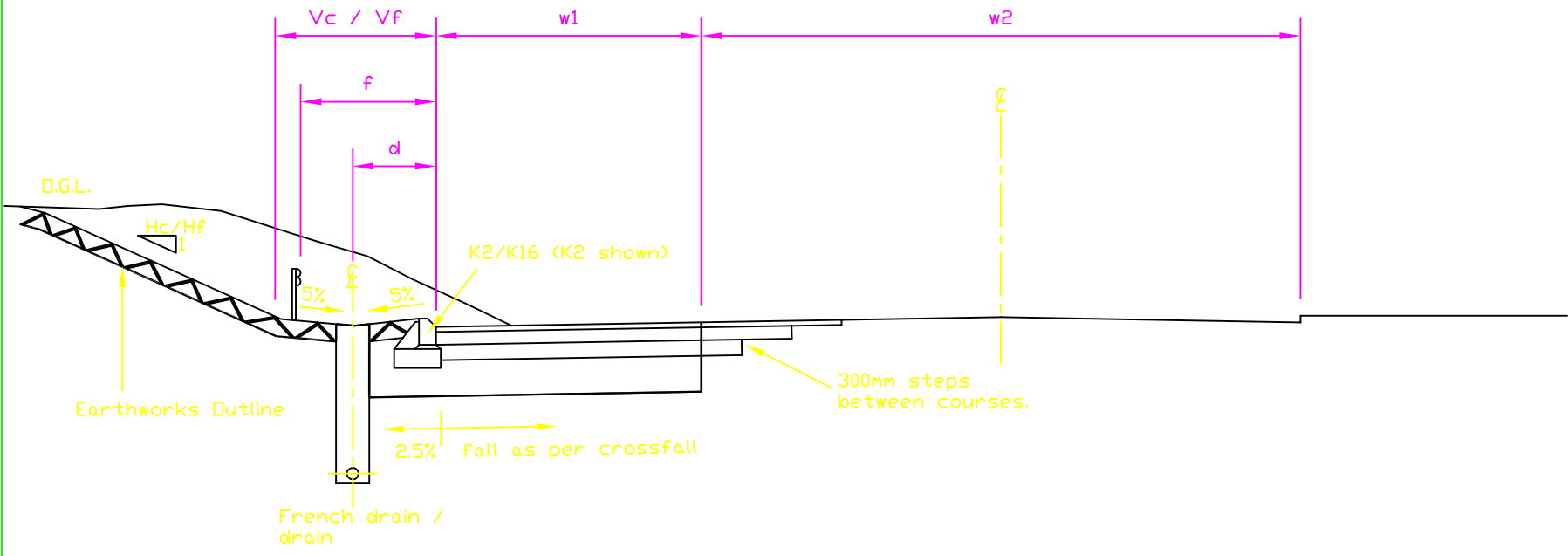


NOTES

- All dimensions are in millimetres unless otherwise stated.



Chainage (m)	Widening LHS or RHS	Widened Lane Width w_1	Verge Details				Existing Carriageway Width w_2	Distance to Drain d	Set Back to Safety Fence f	Verge / Footway Type
			Verge Widths		Side Slopes					
			Cut V_c	Fill V_f	Cut H_c	Fill H_f				

No.	Date	Description

AMENDMENTS

Drawing No.
A91

HIGHWAY CONSTRUCTION DETAILS

HIGHWAY CROSS SECTIONS

FLEXIBLE/COMPOSITE CONSTRUCTION
SINGLE C/W LANE WIDENING
GROUP 2A /2B