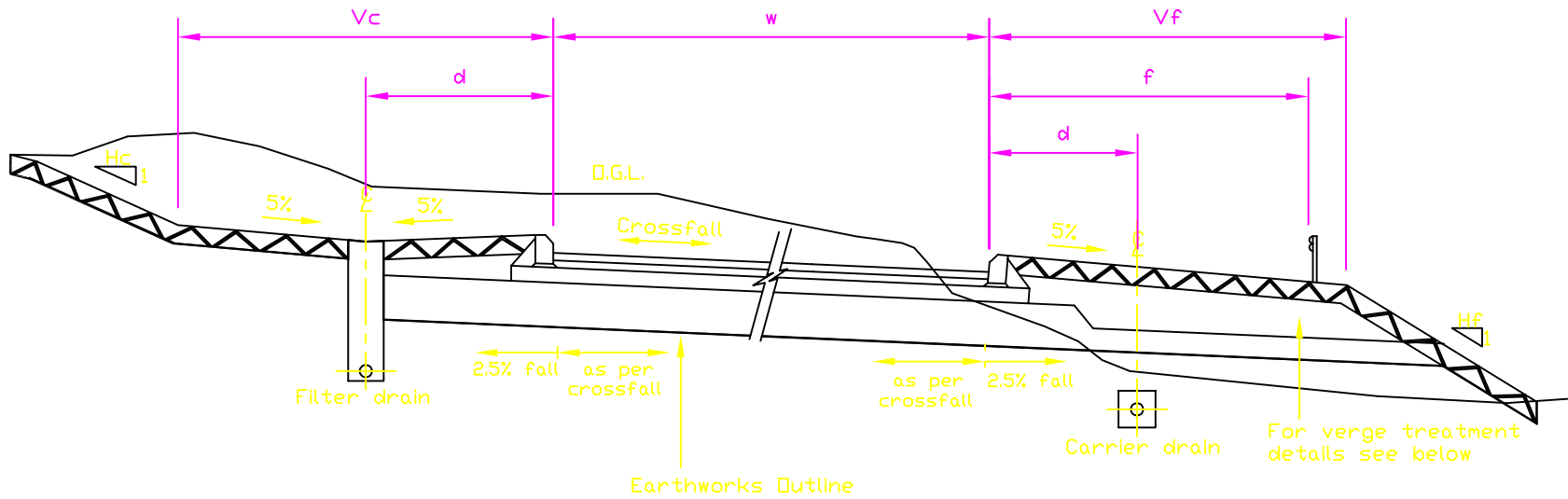


NOTES

- All dimensions are in millimetres unless otherwise stated.



Chainage (m)	Dimensions (m)													Verge Type		
	Left Hand Side				Carriageway Width	Right Hand Side				Distance to Drain ℓ		Set Back To Safety Fence				
	Side Slopes		Verge Widths			Cut V_c	Fill V_f	Cut H_c	Fill H_f	Left d	Right d	Left f	Right f	Left	Right	
	Cut H_c	Fill H_f	Cut V_c	Fill V_f	w											

No.	Date	Description

AMENDMENTS

Drawing No. **A87**