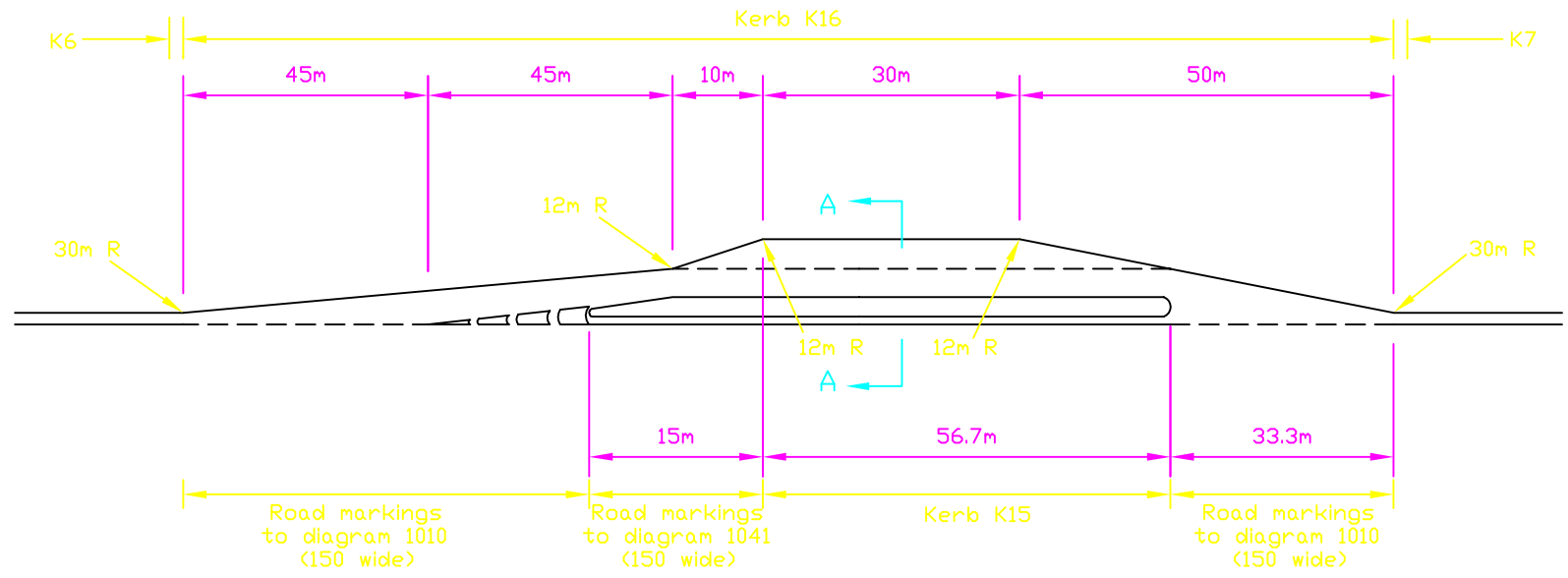
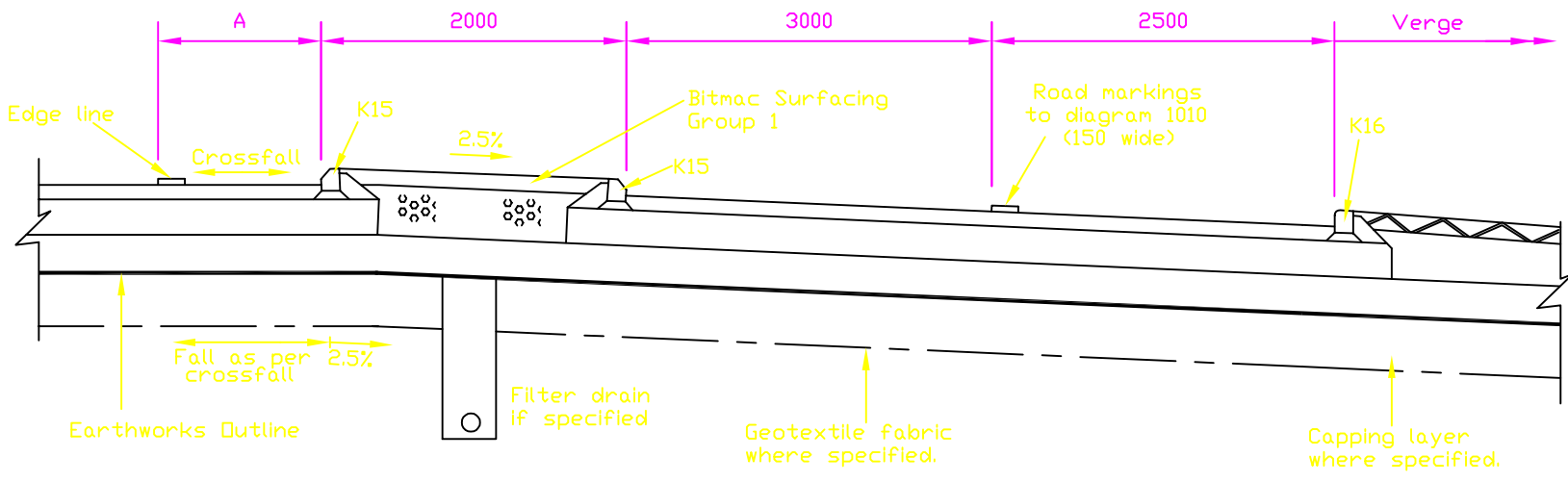


NOTES

1. All dimensions are in millimetres unless otherwise stated.
2. Where hard strips are used dimension A is 1000. Elsewhere dimension A is 225.
3. Separation island construction to consist of granular fill Class 1 placed on top of sub-base layer.



PLAN



SECTION A - A

No.	Date	Description
		AMENDMENTS

HIGHWAY CONSTRUCTION DETAILS

HIGHWAY CROSS SECTIONS

FLEXIBLE/COMPOSITE CONSTRUCTION
SINGLE CARRIAGEWAY LAY-BY TYPE 2
GROUP 1

Drawing No.
A77