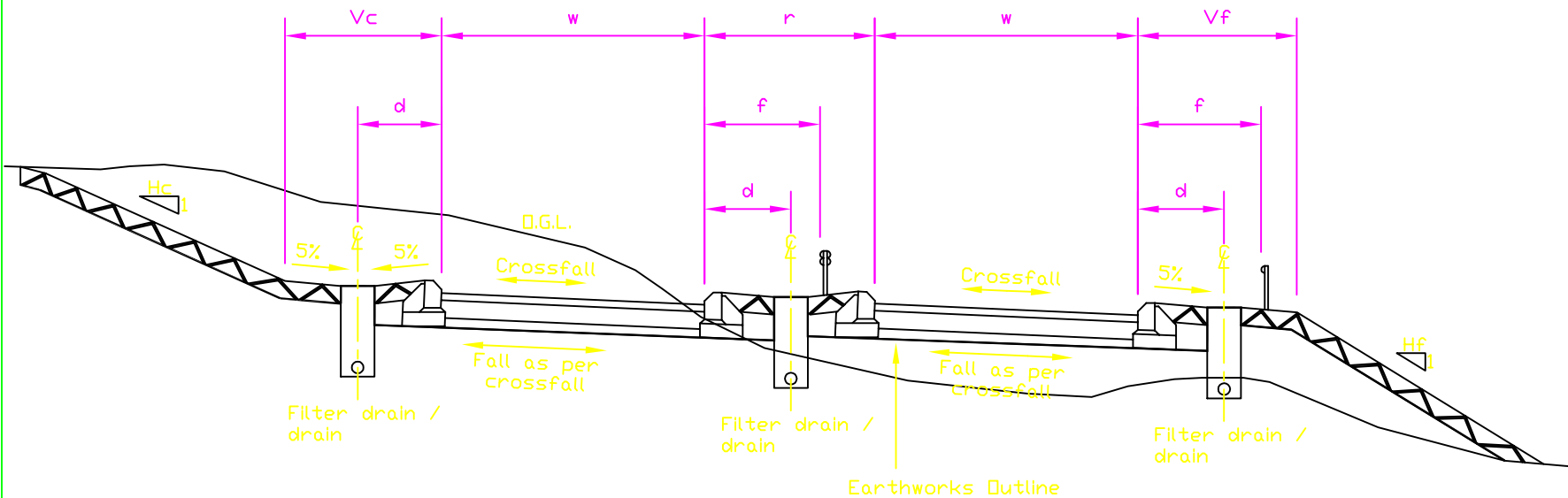


NOTES

1. All dimensions are in millimetres unless otherwise stated.



Chainage (m)	Dimensions (m)																Central Reserve / Verge Type					
	Left Hand Side					Cent. R. Width	Right Hand Side					Distance to Drain \mathcal{C}			Set Back To Safety Fence							
	Side Slopes		Verge Widths		Carr.W w		Carr.W w	Verge Widths		Side Slopes		Left d	Cent. d	Right d	Left f	Cent. f	Right f					
	Cut H_c	Fill H_f	Cut V_c	Fill V_f		Cut V_c		Fill V_f	Cut H_c	Fill H_f												

No.	Date	Description
		AMENDMENTS