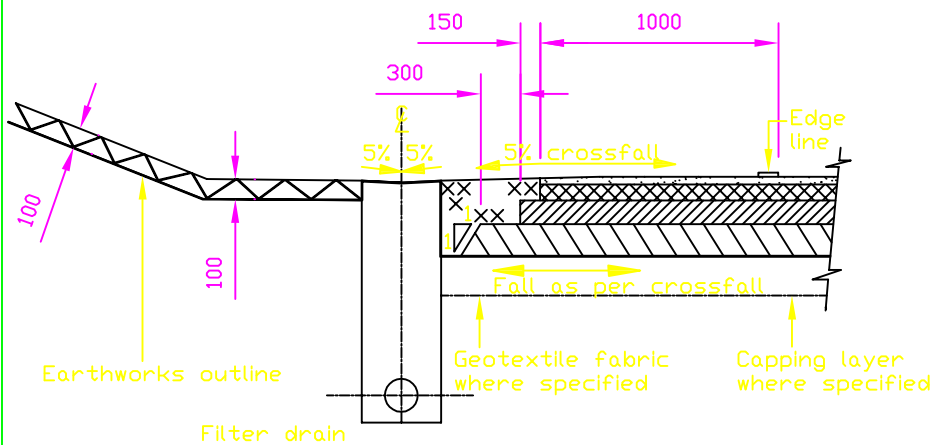
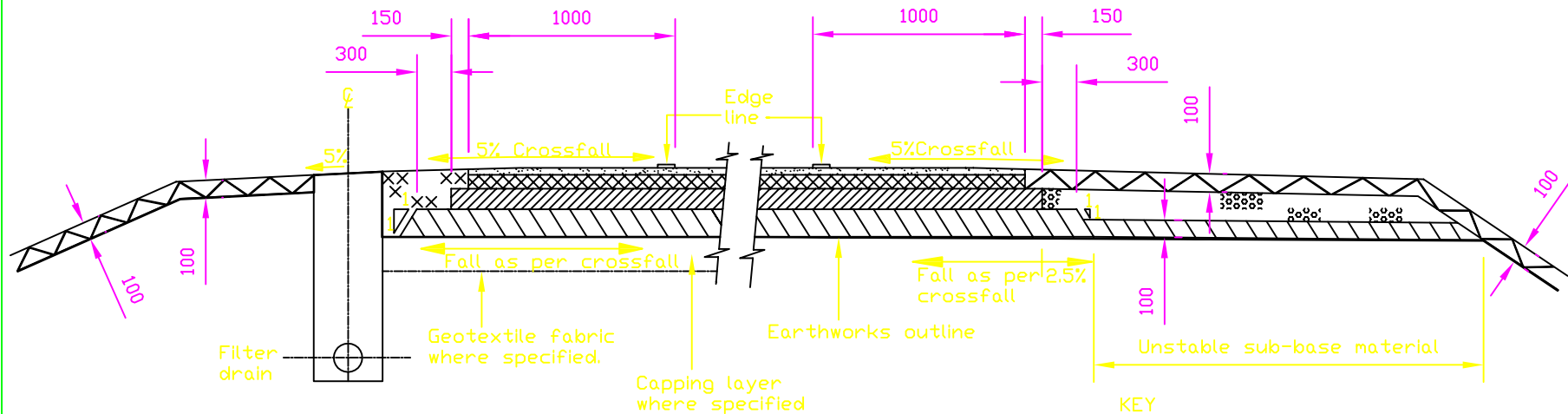
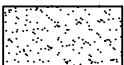
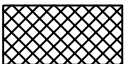
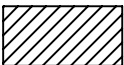



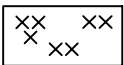


EMBANKMENT (WITH FILTER DRAIN)

EMBANKMENT (WITHOUT FILTER DRAIN)



CUTTING

- KEY**
-  surface course
  -  binder course
  -  base
  -  Sub-base
  -  Granular fill Class 1
  -  Topsoil
  -  Contiguous filter material

NOTES

- All dimensions are in millimetres unless otherwise stated.

No.	Date	Description
		AMENDMENTS