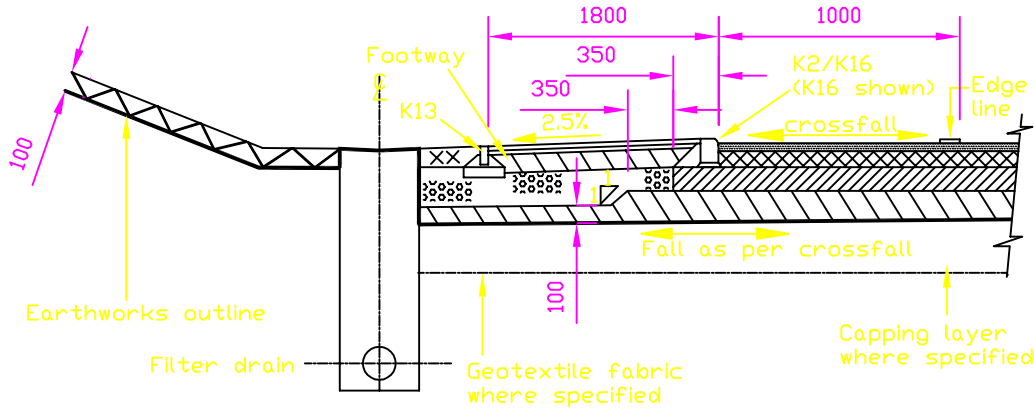
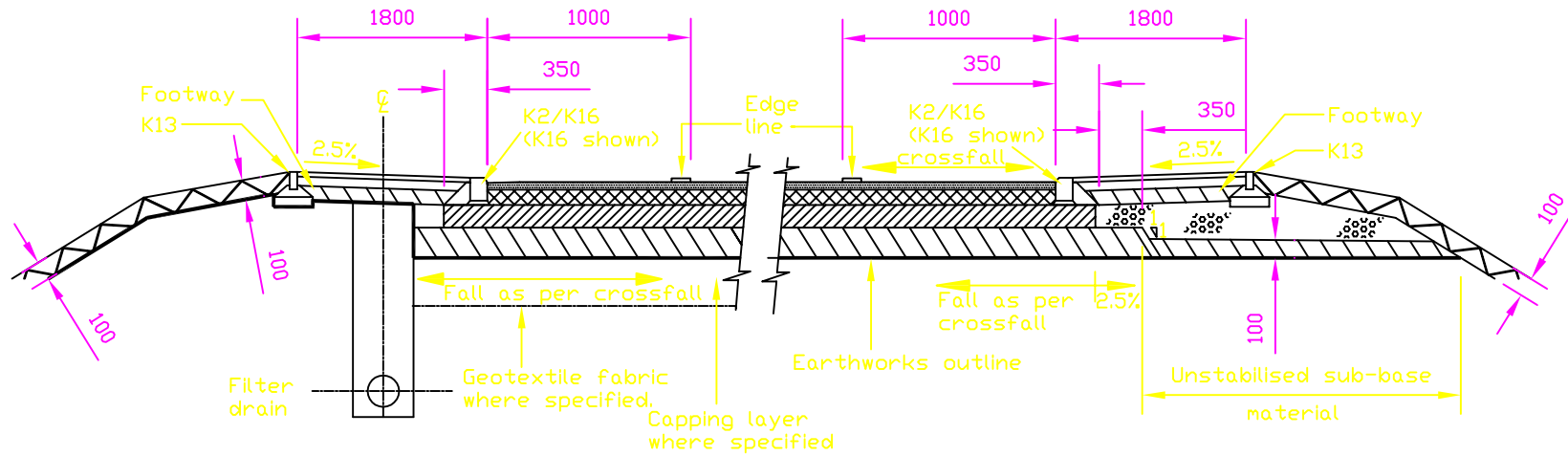


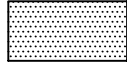
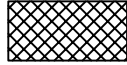




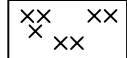
EMBANKMENT (WITH FILTER DRAIN)

EMBANKMENT (WITHOUT FILTER DRAIN)



CUTTING

KEY

-  surface course
-  binder course
-  base
-  Sub-base
-  Granular fill Class 1
-  Topsoil
-  Contiguous filter material

NOTES

1. All dimensions are in millimetres unless otherwise stated.

No.	Date	Description
		AMENDMENTS